



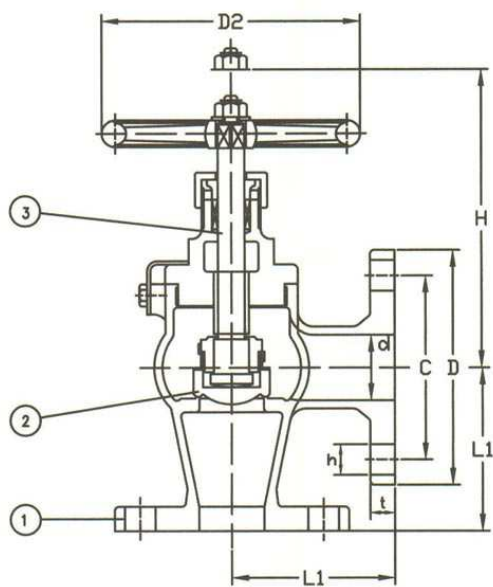
## TECHNICAL SPECIFICATION

Angle Globe valve STOP TYPE

F7302

Angle Globe valve SDNR

F7352

**Type:** Globe valve**Standard:** JIS F7302 Stop Valve**Option:** JIS F7352 SDNR**Material:** Bronze**Pressure:** 5K**Body:** Bronze**Seat:** Bronze**Disc:** Bronze**Stem:** Brass/ Rising type**Handwheel:** Cast Iron**Stem seal:** Packing**Flange standard:** JIS B2220 5K**Face to face:** JIS B2002**Bonnet connection:** Screwed**Execution:** Angle**Connection type:** Flanged

Applications include cooling water systems and operating and air systems.

Air, Gas, Oil and Pulsation Water at 5K

DN	Flange connection	TYPE	L1	D	C	n x Øh	H	IMPA	Weight in KG
15	5K	STOP	55	80	60	4 x 12		750131	2
		SDNR						751061	
20	5K	STOP	60	85	65	4 x 12		750132	2,65
		SDNR						751062	
25	5K	STOP	65	95	75	4 x 12		750133	3,3
		SDNR						751963	
32	5K	STOP	80	115	90	4 x 15		750134	4,65
		SDNR						751064	
40	5K	STOP	85	120	95	4 x 15		750135	5,8
		SDNR						751065	