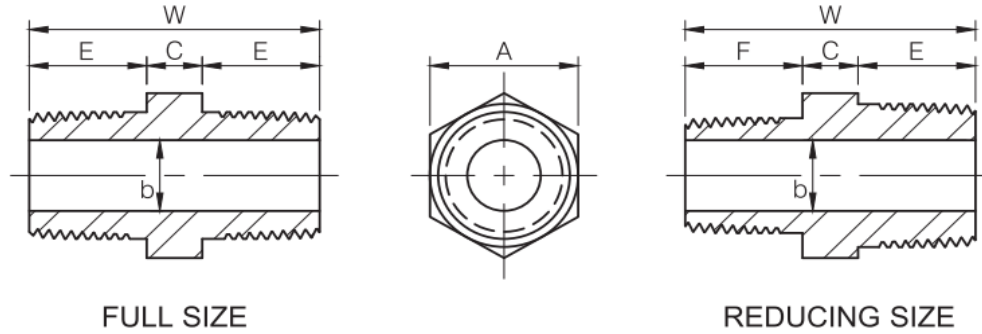




Forged steel fittings
Hex nipple NPT 3000lbs

ASME B16.11-2011



Nominal Size				A Min	W Min	E Min	b		C Min	F Min
Equal		Reducing					3M	6M		
In	DN	In	DN							
1/8	6			11	26	10	5	2	6	-
1/4	8	-	-	15	36	15	8	6	6	-
-	-	1/4*1/8	(8*6)	15	31	15	5	2	6	11
3/8	10	-	-	18	40	16	11	8	8	-
-	-	3/8*1/4	(10*8)	18	39	16	8	6	8	15
1/2	15	-	-	22	48	20	14	11	8	-
-	-	1/2*3/8	(15*10)	22	44	20	11	8	8	16
-	-	1/2*1/4	(15*8)	22	43	20	8	6	8	15
3/4	20	-	-	27	52	21	19	13	10	-
-	-	3/4*1/2	(20*15)	27	50	21	14	11	9	20
-	-	3/4*3/8	(20*10)	27	46	21	11	8	9	16
1	25	-	-	35	60	25	24	17	10	-
-	-	1*3/4	(25*20)	35	56	25	19	13	10	21
-	-	1*1/2	(25*15)	35	56	25	14	11	10	20
1-1/2	40	-	-	50	68	26	38	30	16	-
-	-	1-1/2*1	(40*25)	50	67	26	24	17	16	25
-	-	1-1/2*3/4	(40*20)	50	63	26	19	13	16	21
-	-	1-1/2*1/2	(40*15)	50	62	26	14	11	16	20
2	50	-	-	62	71	27	49	39	17	-
-	-	2*1-1/2	(50*40)	62	70	27	38	30	17	26
-	-	2*1	(50*25)	62	70	27	24	17	18	25
-	-	2*3/4	(50*20)	62	65	27	19	13	17	21
-	-	2*1/2	(50*15)	62	65	27	14	11	18	20