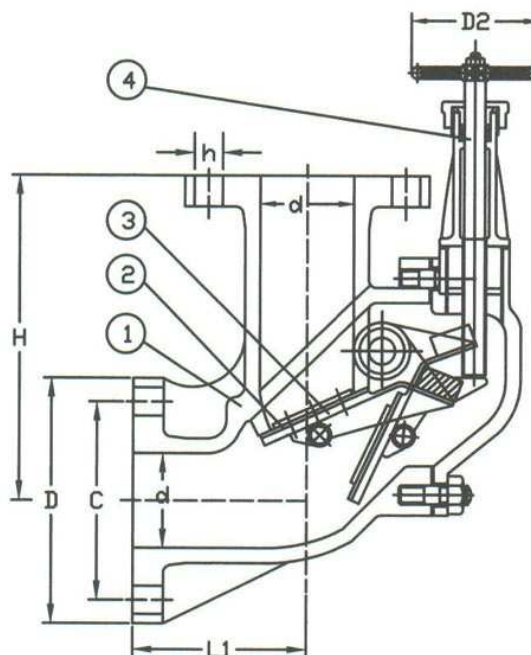




## TECHNICAL SPECIFICATION

Cast Steel Angle Storm Valve F3060 - JIS 10K

- Type:** Storm  
**Standard:** JIS F3060  
**Material:** Cast steel  
**Pressure:** 10K  
**Body(Pos.1):** Cast steel sc49,WPC  
**Seat(Pos.2):** Bronze BC6,SUS  
**Disc(Pos.3):** Bronze,SUS  
**Stem(Pos.4):** Stainless steel  
**Handwheel:** Cast Iron  
**Stem seal:** Packing  
**Connection:** JIS B2220 10K  
**Face to face:** JIS B2002



Nominal Diameter	Test Pressure MPa [kgf/cm <sup>2</sup> ]
50 to 200	5,1

DN	Pressure rating	H	D	C	n x Øh	t	D2	L1	Weight in KG
50	5K	170	155	120	4 x 19	16	100	90	13
65	5K	200	175	140	4 x 19	18	100	110	19
80	5K	220	185	150	8 x 19	18	125	120	23,8
100	5K	250	210	175	8 x 19	18	125	130	34,5
125	5K	270	250	210	8 x 23	20	125	150	50
150	5K	310	280	240	8 x 23	22	125	170	67
200	5K	400	330	290	12 x 23	22	125	190	111