

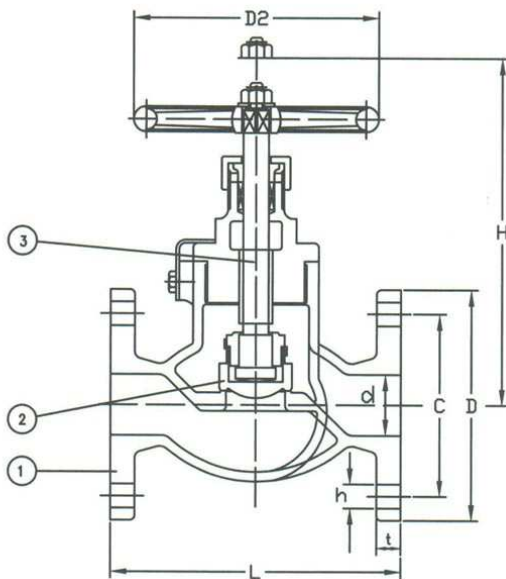


TECHNICAL SPECIFICATION

Globe valve STOP TYPE

F7303

Globe valve Screw Down Check Valve F7409

**Type:** Globe valve**Standard:** JIS F7303 Stop Valve**Option:** JIS F7409 SDNR**Material:** Bronze**Pressure:** 16K**Body:** Bronze**Seat:** Bronze**Disc:** Bronze**Stem:** Brass**Handwheel:** Cast Iron**Stem seal:** Packing**Flange standard:** JIS B2220 16K**Face to face:** JIS B2002**Bonnet connection:** Screwed**Execution:** Straight**Connection type:** Flanged

Applications include cooling water systems and steam systems.

Air, Gas, Oil and Pulsation Water at 16K

DN	Pressure rating	Type	L	D	C	n x Øh	H	IMPA	Weight in KG
15	16K	STOP 7303	110	95	70	4 x 15	130	750141	2,7
		SDNR 7409						751071	
20	16K	STOP 7303	120	100	75	4 x 15	140	750142	3,63
		SDNR 7409						751072	
25	16K	STOP 7303	130	125	90	4 x 19	160	750143	5,1
		SDNR 7409						751073	
32	16K	STOP 7303	160	135	100	4 x 19	170	750144	6,77
		SDNR 7409						751074	
40	16K	STOP 7303	180	140	105	4 x 19	190	750145	8,25
		SDNR 7409						751075	