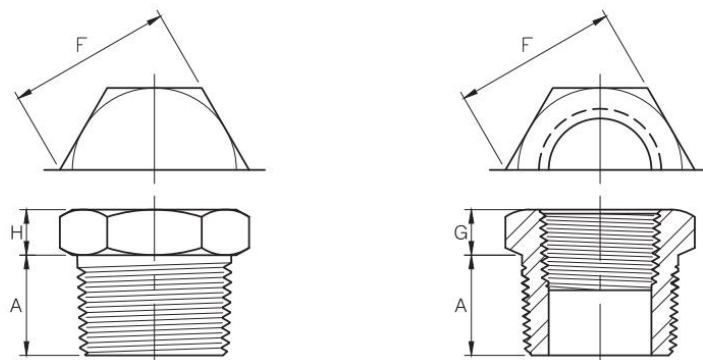




Forged steel fittings

Hex head plug and hex reducing bushing NPT 3000lbs

ASME B16.11-2011



Dimensions in millimeters

Weights approximate

Hex Head Plug				
DN	Nom. Pipe Size	A Min	F (Nom.)	H Min
6	1/8	10	11.11	6
8	1/4	11	15.88	6
10	3/8	13	17.46	8
15	1/2	14	22.23	8
20	3/4	16	26.99	10
25	1	19	34.93	10
32	1-1/4	21	44.45	14
40	1-1/2	21	50.80	16
50	2	22	63.50	18

Hex Head Bushing				
DN	Nom. Pipe Size	A Min	F (Nom.)	G Min
8	1/4	11	15.88	3
10	3/8	13	17.46	4
15	1/2	14	22.23	5
20	3/4	16	26.99	6
25	1	19	34.93	6
32	1-1/4	21	44.45	7
40	1-1/2	21	50.80	8
50	2	22	63.50	9