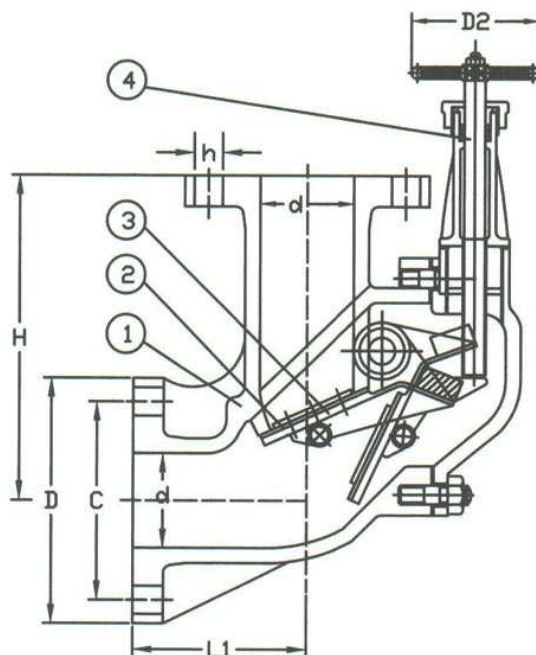




TECHNICAL SPECIFICATION

Cast Steel Angle Storm Valve F3060 - JIS 5K

- Type:** Storm
Standard: JIS F3060
Material: Cast steel
Pressure: 5K
Body(Pos.1): Cast steel sc49,WPC
Seat(Pos.2): Bronze BC6,SUS
Disc(Pos.3): Bronze,SUS
Stem(Pos.4): Stainless steel
Handwheel: Cast Iron
Stem seal: Packing
Connection: JIS B2220 5K
Face to face: JIS B2002



Nominal Diameter	Test Pressure MPa [kgf/cm ²]
50 to 200	5,1

DN	Pressure rating	H	D	C	n x Øh	t	D2	L1	Weight in KG
50	5K	170	130	105	4 x 15	16	100	90	13
65	5K	200	155	130	4 x 15	18	100	110	19
80	5K	220	180	145	4 x 19	18	125	120	23,8
100	5K	250	200	165	8 x 19	20	125	130	34,5
125	5K	270	235	200	8 x 19	20	125	150	50
150	5K	310	265	230	8 x 19	22	125	170	67
200	5K	400	320	280	8 x 23	24	125	190	111