



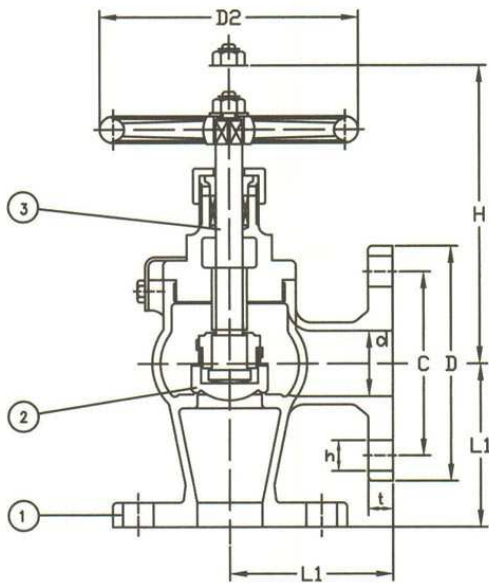
TECHNICAL SPECIFICATION

Angle Globe valve STOP TYPE

F7304

Angle Globe valve SDNR

F7410



- Type:** Globe valve
Standard: JIS F7304 Stop Valve
Option: JIS F7410 SDNR
Material: Bronze
Pressure: 16K
Body: Bronze
Seat: Bronze
Disc: Bronze
Stem: Brass/Rising type
Handwheel: Cast Iron
Stem seal: Packing
Flange standard: JIS B2220 16K
Face to face: JIS B2002
Bonnet connection: Screwed
Execution: Angle
Connection type: Flanged

Applications include cooling water systems and steam systems.

Steam up to 205°C at 5K

Air, Gas, Oil and Pulsation Water at 16K

DN	Flange connection	TYPE	L1	D	C	n x Øh	H	IMPA	Weight in KG
15	16K	STOP 7304	70	95	70	4 x 15		750151	2,73
		SDNR 7410						751081	
20	16K	STOP 7304	75	100	75	4 x 15		750152	3,65
		SDNR 7410						751082	
25	16K	STOP 7304	85	125	90	4 x 19		750153	5,16
		SDNR 7410						751983	
32	16K	STOP 7304	95	135	100	4 x 19		750154	6,72
		SDNR 7410						751084	
40	16K	STOP 7304	100	140	105	4 x 19		750155	8,13
		SDNR 7410						751085	