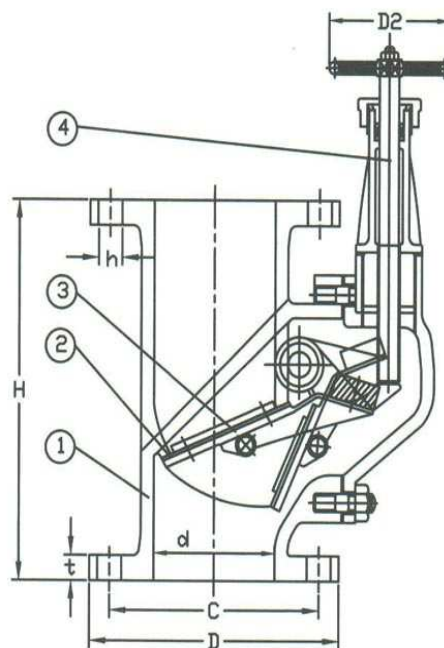




## TECHNICAL SPECIFICATION

Cast Steel Vertical Storm Valve F3059 - JIS 5K

- Type:** Storm  
**Standard:** JIS F3059  
**Material:** Cast steel  
**Pressure:** 5K  
**Body(Pos.1):** Cast steel sc49,WPC  
**Seat(Pos.2):** Bronze BC6,SUS  
**Disc(Pos.3):** Bronze,SUS  
**Stem(Pos.4):** Stainless steel  
**Handwheel:** Cast Iron  
**Stem seal:** Packing  
**Connection:** JIS B2220 5K  
**Face to face:** JIS B2002



Nominal Diameter	Test Pressure MPa [kgf/cm <sup>2</sup> ]
50 to 200	5,1

DN	Pressure rating	H	D	C	n x Øh	t	D2	IMPA	Weight in KG
50	5K	210	130	105	4 x 15	16	100		11,5
65	5K	240	155	130	4 x 15	18	100		16,5
80	5K	260	180	145	4 x 19	18	125		21,6
100	5K	280	200	165	8 x 19	20	125		29,6
125	5K	330	235	200	8 x 19	20	125		43,6
150	5K	360	265	230	8 x 19	22	125		51,6
200	5K	460	320	280	8 x 23	24	125		106,5