

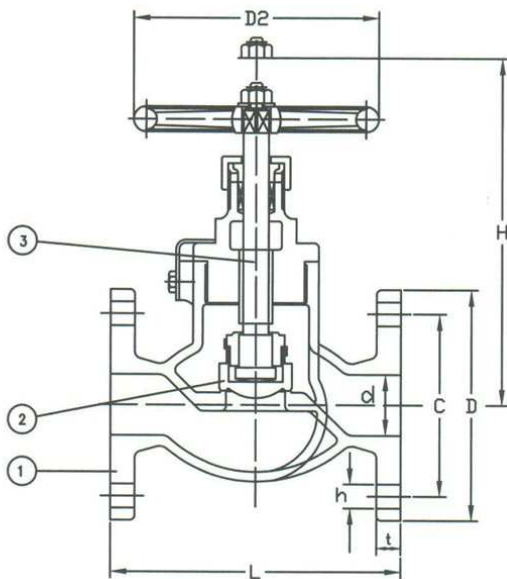


## TECHNICAL SPECIFICATION

Globe valve STOP TYPE

F7301

Globe valve Screw Down Check Valve F7351

**Type:** Globe valve**Standard:** JIS F7301 Stop Valve**Option:** JIS F7351 SDNR**Material:** Bronze**Pressure:** 5K**Body:** Bronze**Seat:** Bronze**Disc:** Bronze**Stem:** Brass**Handwheel:** Cast Iron**Stem seal:** Packing**Flange standard:** JIS B2220 5K**Face to face:** JIS B2002**Bonnet connection:** Screwed**Execution:** Straight**Connection type:** Flanged

Applications include cooling water systems and steam systems.

Air, Gas, Oil and Pulsation Water at 5K

DN	Pressure rating	Type	L	D	C	n x Øh	H	IMPA	Weight in KG
15	5K	STOP	100	80	60	4 x 12	130	750121	2
		SDNR						751051	
20	5K	STOP	110	100	65	4 x 12	140	750122	2,9
		SDNR						751052	
25	5K	STOP	120	125	75	4 x 12	160	750123	3,5
		SDNR						751053	
32	5K	STOP	140	135	90	4 x 15	170	750124	5
		SDNR						751054	
40	5K	STOP	160	140	95	4 x 15	190	750125	6,5
		SDNR						751055	