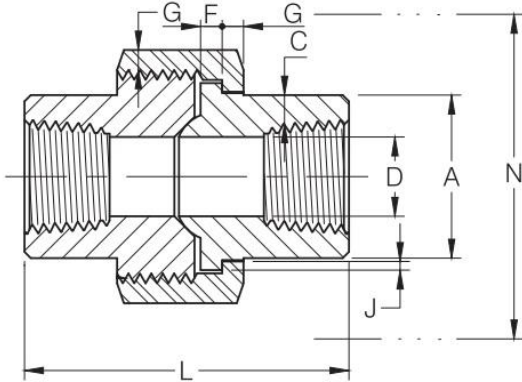




**Forged steel fittings**  
**THREADED END UNION NPT 3000lbs**

ASME B16.11-2011



Dimensions in millimeters  
Weights approximate

Size	Pipe End (Min) A	Wall (Min) C	Water Way Bore D		Male Flange (Min) F	Nut (Min) G	Thirds.per 25.4mm H	Bearing (Min) J	L	N
1/8"	14.7	2.41	6.43	8.43	3.18	3.18	16	1.24	41.4	50.8
1/4"	19	3.02	9.45	11.13	3.18	3.18	16	1.24	41.4	50.8
3/8"	22.9	3.2	13.51	14.27	3.43	3.43	14	1.37	46.0	55.9
1/2"	27.7	3.73	17.07	17.86	3.68	3.68	14	1.50	49.0	58.4
3/4"	33.5	3.91	21.39	23.01	4.06	4.06	11	1.68	56.9	66.0
1"	41.4	4.55	27.74	28.98	4.57	4.45	11	1.85	62.0	78.7
1- 1/4"	50.5	4.85	35.36	37.69	5.33	5.21	10	2.13	71.1	94.0
1"-1/2"	57.2	5.08	41.20	43.54	5.84	5.59	10	2.31	76.5	111.8
2"	70.1	5.54	52.12	55.58	6.60	6.35	10	2.69	86.1	132.1